

DELCDRAINS

DELCD FLOOR CLEANOUT SPECIFICATION SHEET

GENERAL:

The DELCD Floor Cleanout is a heavy stainless steel access point to clear blockages in underground lines. When plate is in place it creates an air and water tight seal.

MATERIALS:

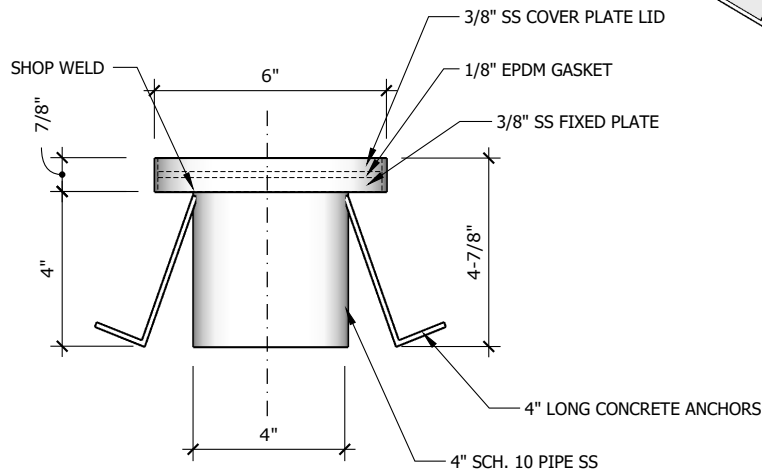
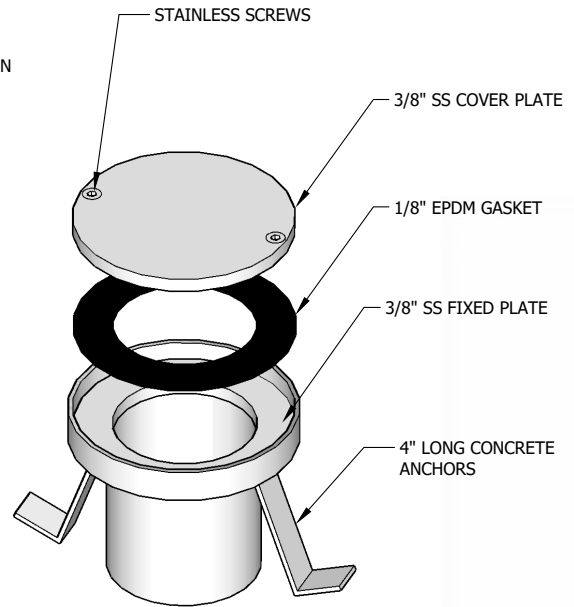
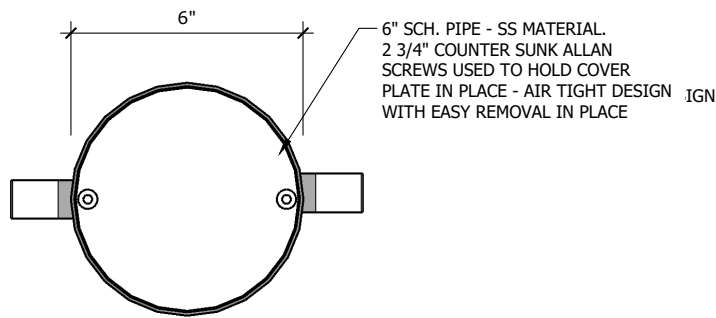
T304 Stainless Steel or T316 Stainless Steel

LOAD CLASS:

Load Class E - Forklift Rated

INSTALLATION:

The DELCD Cleanout shall be installed in accordance with the manufacturer's installation instructions and recommendations.



PART NO.

OUTLET DIAMETER

OUTLET BODY DEPTH

COVER PLATE DIAMETER

DFCO

4" OR CUSTOM

4" OR CUSTOM

6" OR CUSTOM